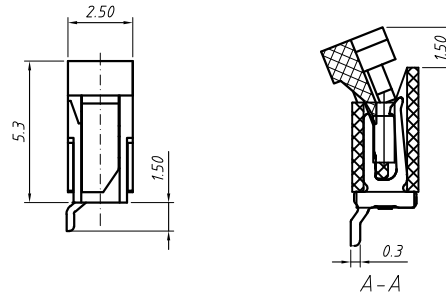
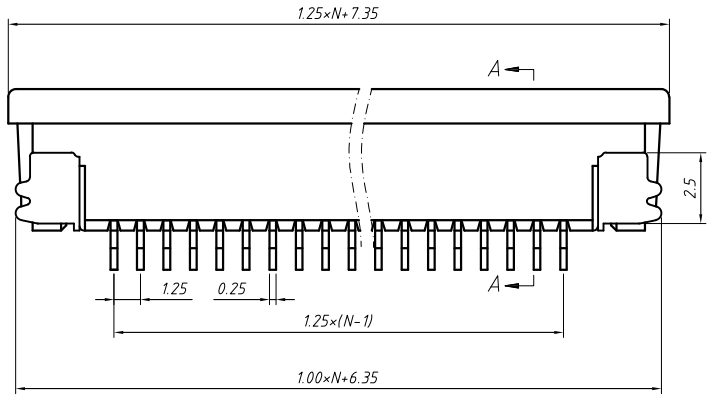


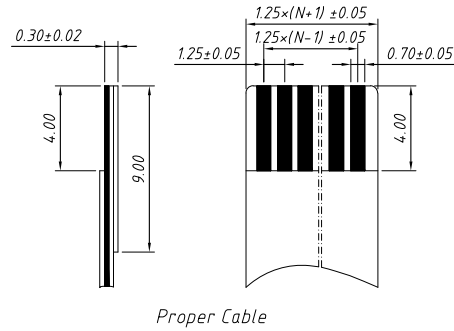
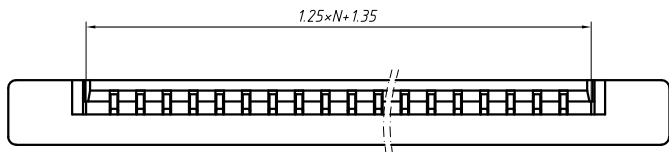
RoHS Compliant



Material
 Housing: LCP UL94V-0
 Lock: LCP UL94V-0
 Plug spring: Phosphor Bronze, Gold/Tin
 Soldering: Phosphor Bronze, Gold/Tin

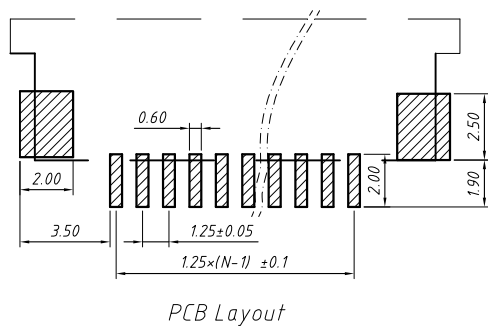
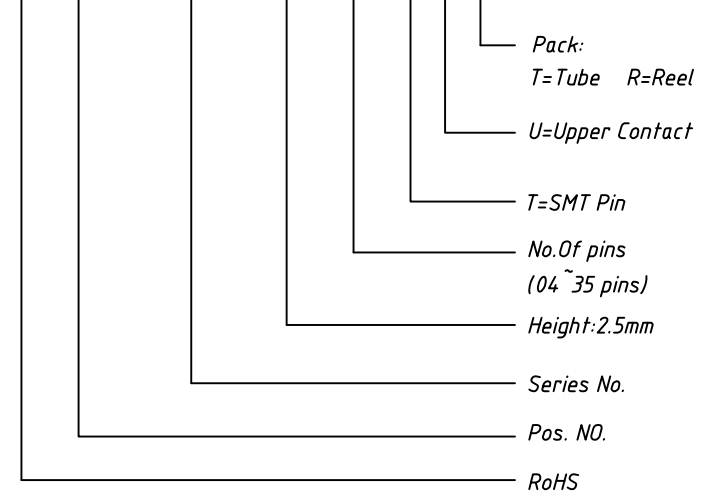
Electrical
 Voltage rating: 50 V
 Current rating: 0.5 A
 Withstanding Voltage: 500 V
 Insulation resistance: 800M Ω .Min.
 Contact resistance: 20 m Ω .max.

Mechanical
 Temp. Range: -20 °C ~ +85 °C



Order Information

L-KLS1- 220D - 2.5- XX -T-U-R



GENERAL TOLERANCE	ANGLE TOLERANCE	PROJECTION	Description:
X. ± 0.15	X. $\pm 5^\circ$	UNITS	CONN FFC 1.25mm SMD, Upper Contact ,with ZIF
.X ± 0.03	.X $\pm 3^\circ$	SHEET SIZE	
.XX ± 0.05	.XX $\pm 2^\circ$	KLS P/N:	

Draw by: Date 2018-03-10

Check by: Date 2018-03-10

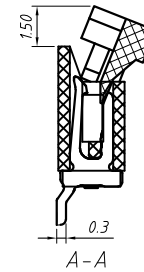
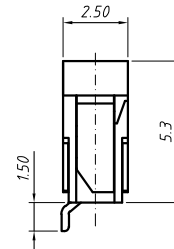
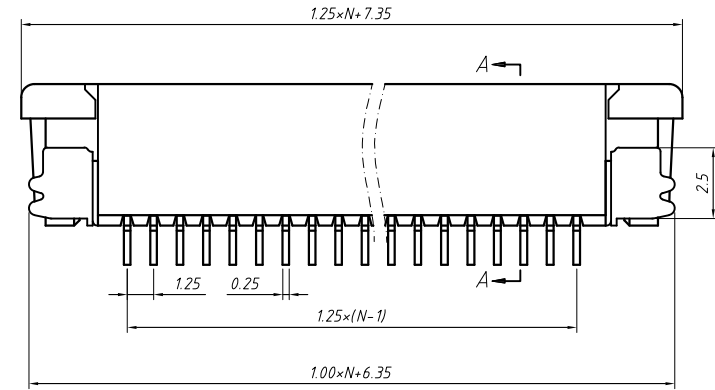
SCALE SHEET OF



NingBo KLS ELECTRONIC CO.,LTD.

L-KLS1-220D-2.5-XX-T-U-R

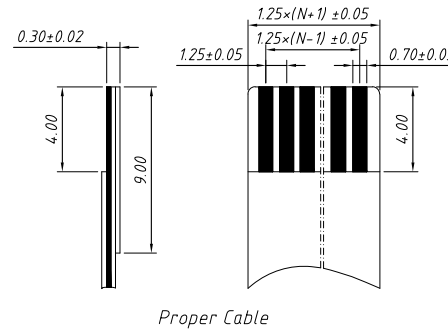
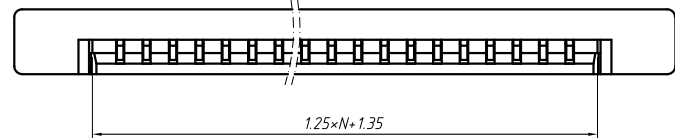
RoHS Compliant



Material
 Housing: LCP UL94V-0
 Lock: LCP UL94V-0
 Plug spring: Phosphor Bronze, Gold/Tin
 Soldering: Phosphor Bronze, Gold/Tin

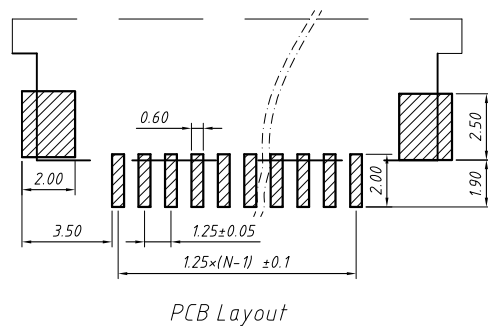
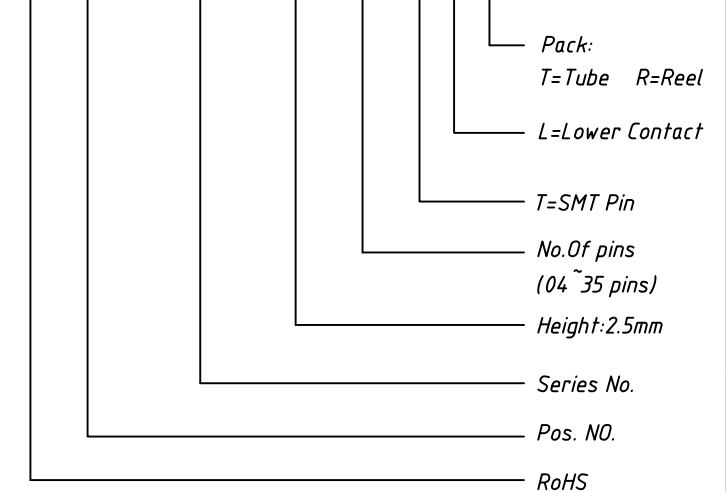
Electrical
 Voltage rating: 50 V
 Current rating: 0.5 A
 Withstanding Voltage: 500 V
 Insulation resistance: 800M Ω .Min.
 Contact resistance: 20 m Ω .max.

Mechanical
 Temp. Range: -20 °C ~ +85 °C



Order Information

L-KLS1- 220D - 2.5- XX -T-L-R



GENERAL TOLERANCE	ANGLE TOLERANCE	PROJECTION	Description:
X. ±0.15	X. ±5°	UNITS	mm
.X ±0.03	.X ±3°	SHEET SIZE	A4
.XX ±0.05	.XX ±2°	KLS P/N:	L-KLS1-220D-2.5-XX-T-L-R

Draw by: Date	2018-03-10
Check by: Date	2018-03-10
SCALE	SHEET OF



NingBo KLS ELECTRONIC CO.,L TD.